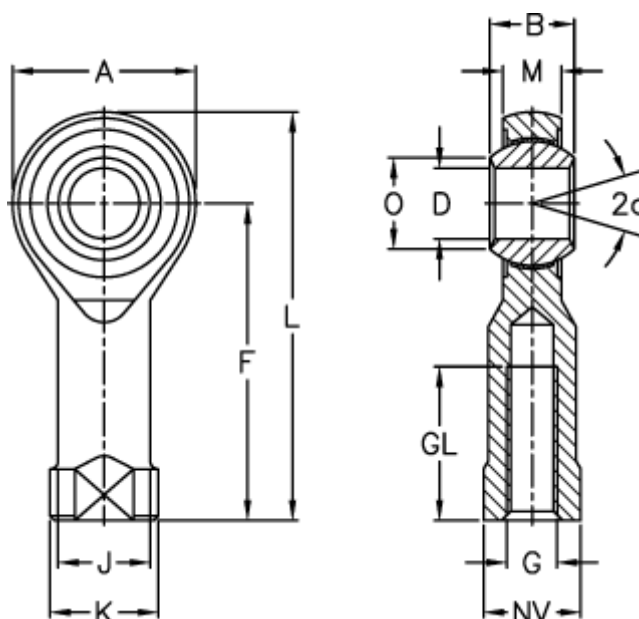


Article number: 03305016

Description: Fluro Rod End GILOW 16  
Without bushing with left-handed thread

## Measures



A	= 42	J	= 22	Weight (g) = 230
a (degrees)	= 15	K	= 27	
B	= 21	L	= 85	
D	= 16	M	= 15	
Dynamic load C (kN)	= 7	NV	= 22	
F	= 64	O	= 19.3	
G	= M16	Permissible rpm	= Ikke velegnet til rotation	
GL	= 28	Static load C0 (kN)	= 39	